

# MX1 MultiCoder



## Professional MPEG-2 Encoder

### Description

The TVC Model MX1 MultiCoder is a real time MPEG-2 video encoder for digital television systems, specifically DVB Satellite and cable. It compresses audio/visual signals into MPEG2 format and outputs a DVB formatted ASI transport stream.

Built to industry standards, the MX1 ensures interoperability with downstream devices. Required tables and PID values are set and stored using a RS-232 terminal program.

Applications include the following:

- Satellite broadcasting
- CATV
- Terrestrial broadcasting (all formats)
- Electronic news gathering
- Surveillance and Security
- Encoding rates from 1.5 to 15 Mbps
- Advanced Video Filtering and Preprocessing
- Stable, reliable and simple operation
- Density of three encoders per rack unit

### Benefits

High Quality MPEG-2 Encoding in Real Time

- Video quality equal to units that cost ten times as much.
- Comparable to SA, Tanberg, etc.

### Flexible Control

Configure the TVC MX1 using the built-in RS-232 port and simple set-up screen.

### Low Cost Without Compromise

TVS has a tradition of delivering reliability at a low cost with high performance standards. We have been pioneering satellite broadcast technology since 1979.

### Stable MPEG-2 Transport Stream

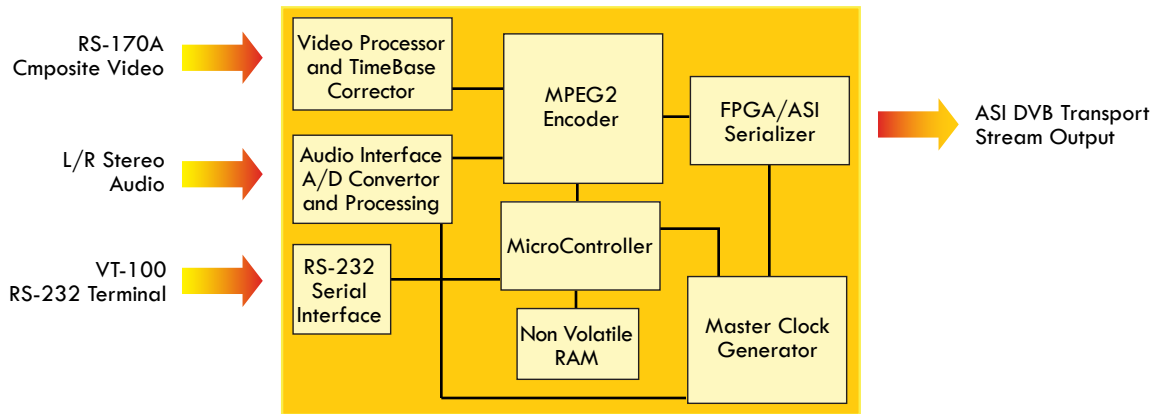
Variable output transport rate compliant with global DVB standards. MPEG and DVB tables delivered via industry standard ASI interface.

The PCS Model A MultiCoder is available in a aluminum case (6" x 8" x 1.53"). Options include rack tray that supports three MultiCoders.

**Compatible with all DVB compliant multiplexers and modulators.**

## MX1 MultiCoder

### Audio Video Encoder with ASI Output



**Functional Block Diagram**

## SPECIFICATIONS

### Video: RS-170A

- Input Resolution: Composite video PAL/NTSC  
PAL 720x 480/NTSC 720x576, D1, HD1, SIF
- Compression rate: 1.0 to 15.0 Mbps (16kbps increments)

### Audio Levels: Dual Channel Stereo

- Encoder: MPEG1 Layer II
- Encoder Rate: 96, 112, 128, 160, 192, 224, 256, 320, 384
- Sampling rate: 32, 44.1 or 48kHz

### Transport Stream: MPEG2 ISO/IEC13818-1

- Mux: Programmable PIDS: Audio, Video, PCR, PAT, PMT. 0x0002 - 0x1FFE
- PCR Jitter: <100ns
- Output: ASI 75 ohms BNC
- TS Rate: 1Mbps -1KHz resolution 200KHz - 5MHz
- ASI Frequency: Fixed 270Mbps

**Power Supply (Included): 5 volts, 1 amp regulated**

**Operating Temperature: Ta = 0 to 50 degrees C**

### Physical

- Height: 1.53"
- Width: 6"
- Depth: 8"
- Mounting: Rack mount optional

### Connectors

- Video In: RCA Female, 75 ohms
- Audio Left/Right: RCA Female
- Impedance: 10k unbalanced
- ASI Out: BNC 75 Ohms Per EN50083-9
- RS-232: RJ-45
- Monitor & Control: 2.5mm Male Center Positive
- Power



*Specs Subject To Change Without Notice*